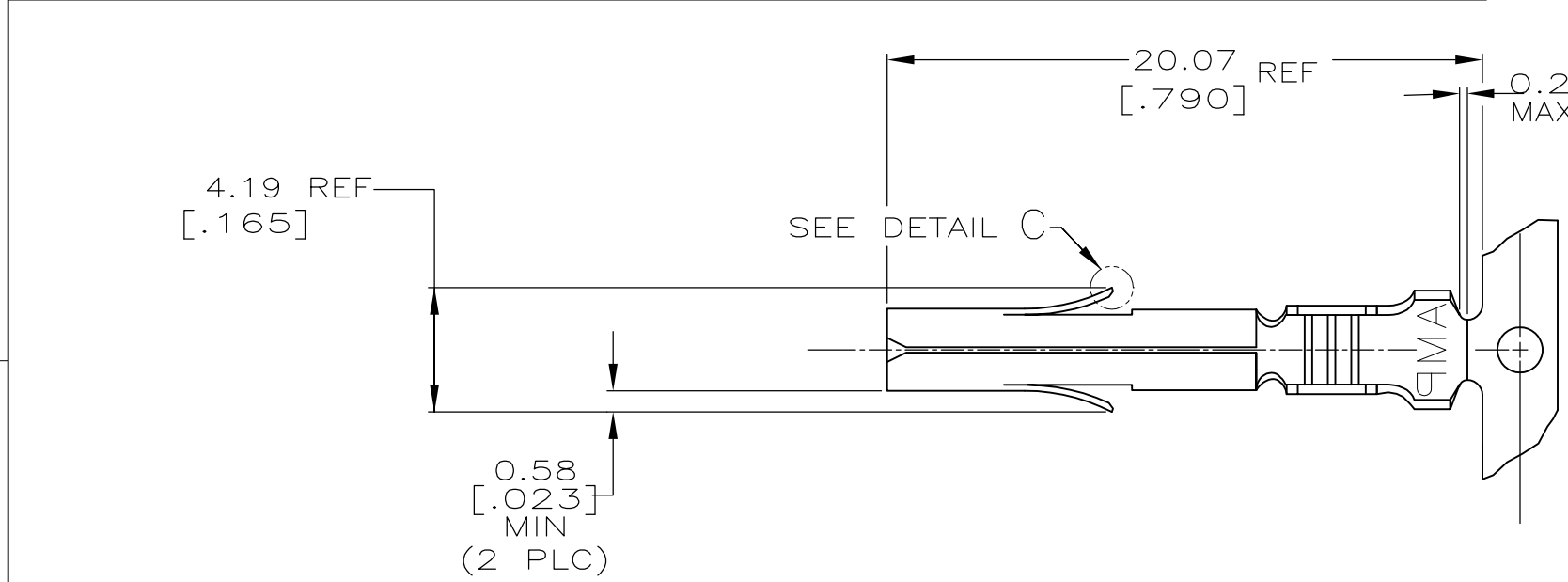
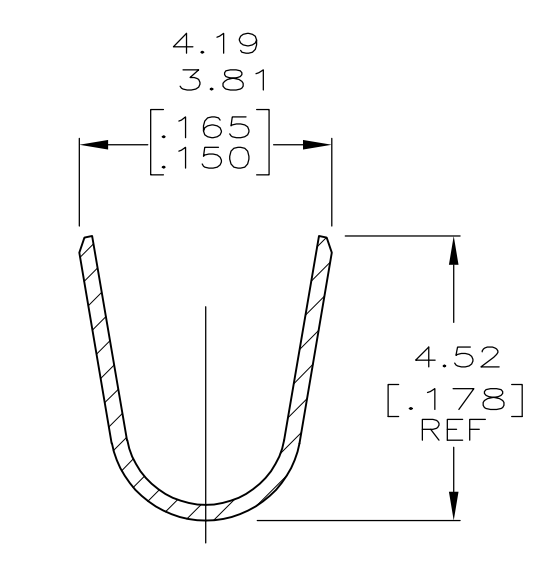
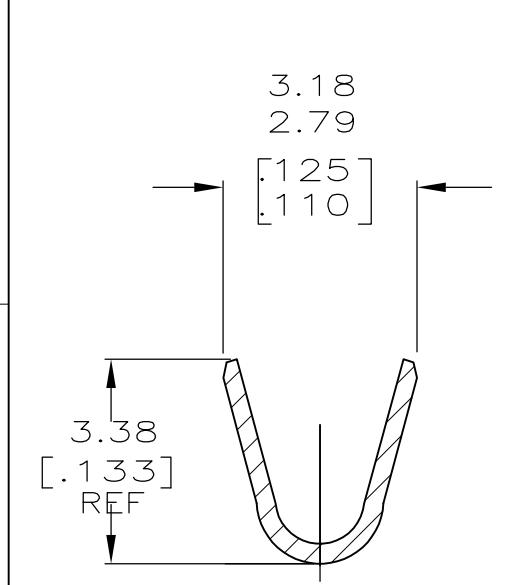
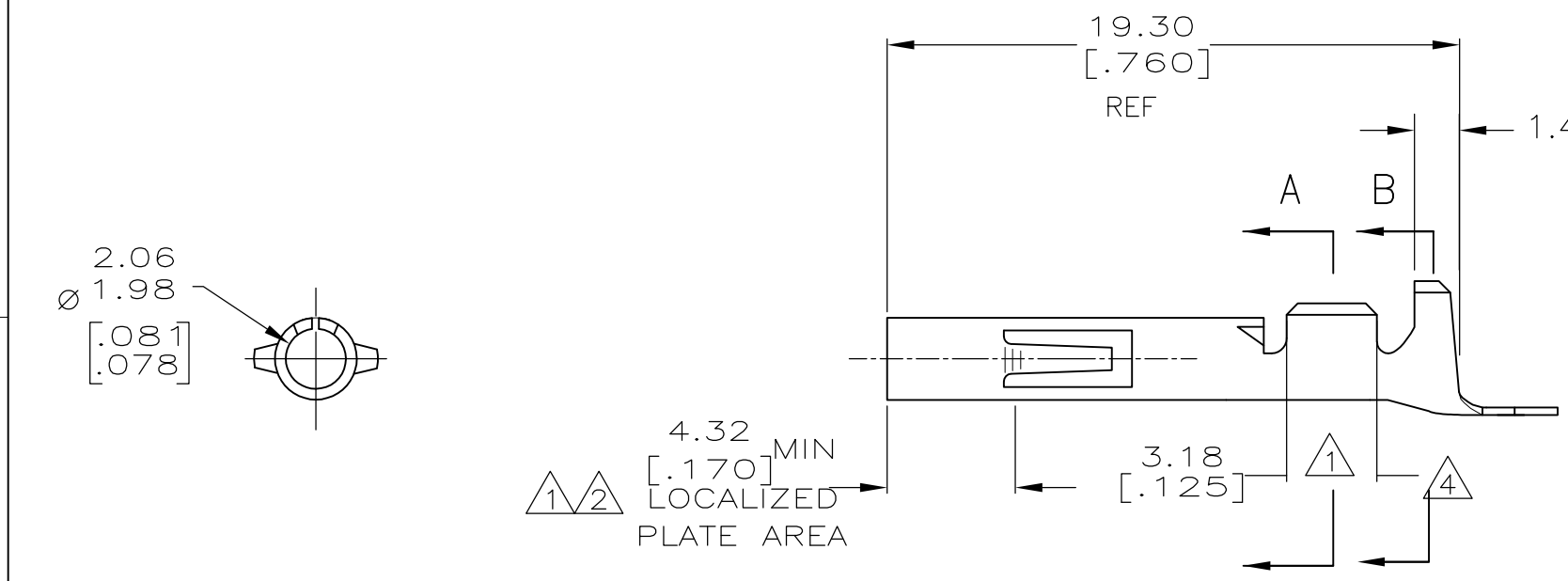


THIS DRAWING IS UNPUBLISHED. RELEASED FOR PUBLICATION
 © COPYRIGHT - By - ALL RIGHTS RESERVED.

LOC	DIST	REVISIONS					
CM	00	P	LTR	DESCRIPTION	DATE	DWN	APVD
			AD	REVISED PER ECR-12-013323	09AUG12	KH	TM



- 1 0.00076[.000030] THK GOLD OVER NICKEL ON INSIDE OF RECEPTACLE AND WIRE BARREL; REMAINDER OF CONTACT IS NICKEL PLATED.
- 2 0.00076[.000030] THK GOLD ON INSIDE OF RECEPTACLE; REMAINDER OF CONTACT IS NICKEL PLATED.
- 3 DIMENSIONS IN BRACKETS ARE IN INCHES.
- 4 PRELIMINARY, NOT FOR PRODUCTION.
- 5 OBSOLETE PARTS: OBSOLETE CIS STREAMLINING PER D.RENAUD/D.SINISIA
- 6 INSULATION RANGE: 1.52-3.30 [.060-.130] DIA.



5 OBSOLETE	-	-	TIN	0.30 [.012] BE CU	1-350536-0
	-	STANDARD	TIN	0.30 [.012] PH BZ	-350536-9-
	350550-7	MINI	GOLD 2	0.30 [.012] BRASS	350536-7
	350550-6	MINI	GOLD 2	0.30 [.012] PH BZ	350536-6
	350550-3	MINI	TIN	0.30 [.012] PH BZ	350536-3
	350550-2	MINI	GOLD 1	0.30 [.012] BRASS	350536-2
	350550-1	MINI	TIN	0.30 [.012] BRASS	350536-1
	LOOSE PIECE (REF)	APPLICATOR TYPE	FINISH	MATERIAL	PART NUMBER

THIS DRAWING IS A CONTROLLED DOCUMENT.

DWN	K. WHITAKER	07NOV2003	TE Connectivity SOCKET, UNIVERSAL MATE-N-LOK™					
CHK	S. RIDGILL	07-NOV-03						
APVD	S. RIDGILL	07-NOV-03						
PRODUCT SPEC	NAME							
APPLICATION SPEC	NAME		SIZE	CAGE CODE	DRAWING NO	RESTRICTED TO		
WEIGHT	-		A3	00779	C-350536	-		
CUSTOMER DRAWING			SCALE	4:1	SHEET	1 OF 1	REV	AD